

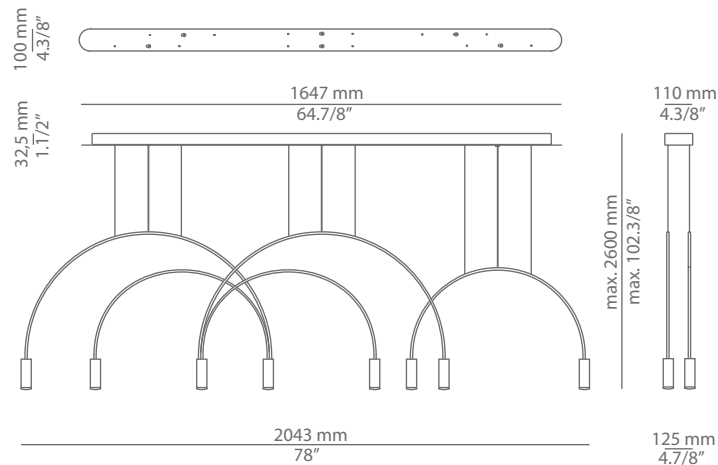
VOLTA T-3535S / T-3536S

linear surface compositions

Date	Type
Project	
Location	
Model #	Quantity
Specifier	

Ordering information

Code	Composition includes	Temperature	Canopy	Body	Head
■ L165S.1D2T	<ul style="list-style-type: none"> ■ 1 linear canopy 113535XX7 ■ 1 unit of T-3535C ■ 2 units of T-3536C ■ 3 drivers / Dimmable Triac 	<ul style="list-style-type: none"> ■ T-3535C-W / T-3536C-W (2700K / 725 lumens) ■ T-3535C-M / T-3536C-M (3000K / 763 lumens) 	<ul style="list-style-type: none"> ■ 26 BLK Black ■ 71 WH White 	<ul style="list-style-type: none"> ■ 26 BLK Black ■ 71 WH White ■ CUSTOM 	<ul style="list-style-type: none"> ■ 26 BLK Black ■ 61 S GLD Satin Gold ■ 71 WH White ■ CUSTOM



Code	Composition includes	Temperature	Canopy	Body	Head
■ L165S.3D2T	<ul style="list-style-type: none"> ■ 1 linear canopy 113535XX7 ■ 3 units of T-3535C ■ 2 units of T-3536C ■ 5 drivers / Dimmable Triac 	<ul style="list-style-type: none"> ■ T-3535C-W / T-3536C-W (2700K / 725 lumens) ■ T-3535C-M / T-3536C-M (3000K / 763 lumens) 	<ul style="list-style-type: none"> ■ 26 BLK Black ■ 71 WH White 	<ul style="list-style-type: none"> ■ 26 BLK Black ■ 71 WH White ■ CUSTOM 	<ul style="list-style-type: none"> ■ 26 BLK Black ■ 61 S GLD Satin Gold ■ 71 WH White ■ CUSTOM

